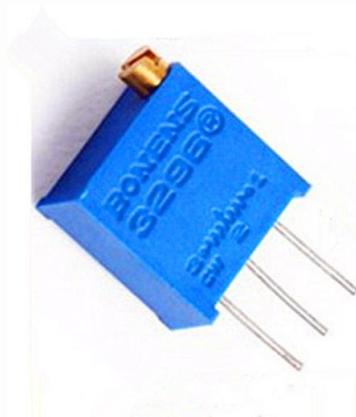


3296 – 3/8” Square Trimpot



Features :

- Multiturn/ Cermet / Industrial / Sealed
- 5 terminal styles
- Tape and reel packaging available
- Chevron seal design
- Mounting hardware available (H-117P)
- RoHS compliant

Electrical Characteristics :

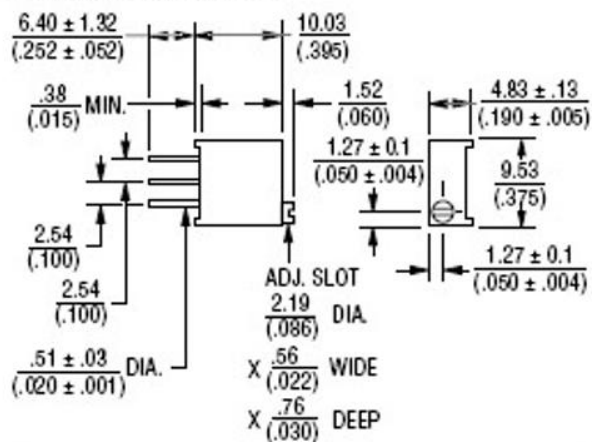
- Standard Resistance Range :- 10 ohms to 2 megaohms
- Resistance Tolerance :- $\pm 10\%$
- Absolute Minimum Resistance :- 1 % or 2 ohms max.
- Contact Resistance Variation :- 1.0 % or 3 ohms max.
- Adjustability Voltage :- $\pm 0.01\%$
- Adjustability Resistance :- $\pm 0.05\%$
- Resolution :- Infinite
- Insulation Resistance :- 500 vdc, 1000 megaohms min.

Physical Characteristics :

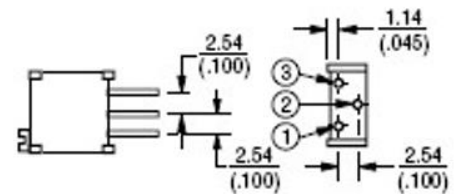
- Torque :- 3.0 oz-in. max.
- Mechanical Stops :- Wiper idles
- Terminals :- Solderable Pins
- Weight :- 0.03 oz
- Wiper :- 50% (Actual TR) $\pm 10\%$
- Flammability :- U.L. 94V-0
- Standard Packaging :- 50 pcs. Per tube
- Adjustment Tool :- H-90

Product Dimensions :

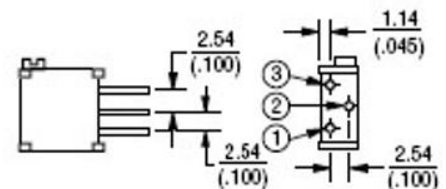
Common Dimensions



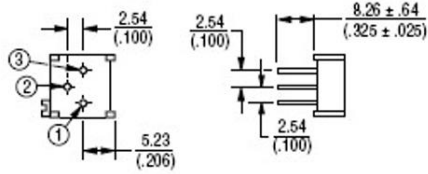
3296Y



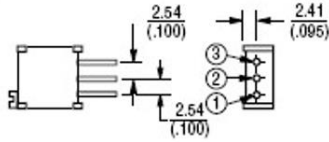
3296Z



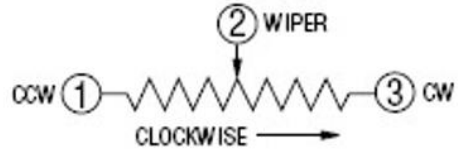
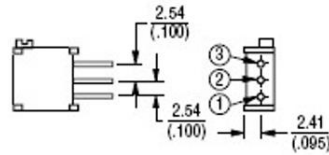
3296P



3296W



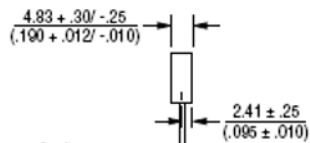
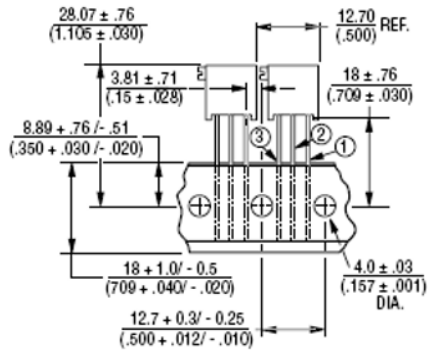
3296X



DIMENSIONS: $\frac{\text{MM}}{\text{(INCHES)}}$
 TOLERANCES: $\pm \frac{0.25}{(.010)}$ EXCEPT WHERE NOTED

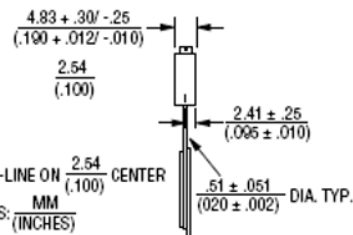
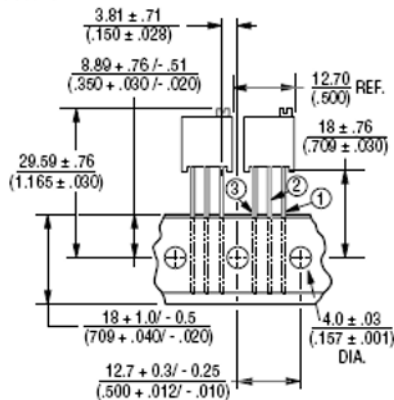
Packaging Specifications :

SIDE ADJUST
3296X-1



ALL PINS IN-LINE ON $\frac{2.54}{(.100)}$ CENTER
 DIMENSIONS: $\frac{\text{MM}}{\text{(INCHES)}}$
 1000/REEL/BOX

TOP ADJUST
3296W-1



ALL PINS IN-LINE ON $\frac{2.54}{(.100)}$ CENTER
 DIMENSIONS: $\frac{\text{MM}}{\text{(INCHES)}}$
 1000/REEL/BOX